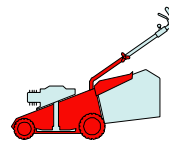


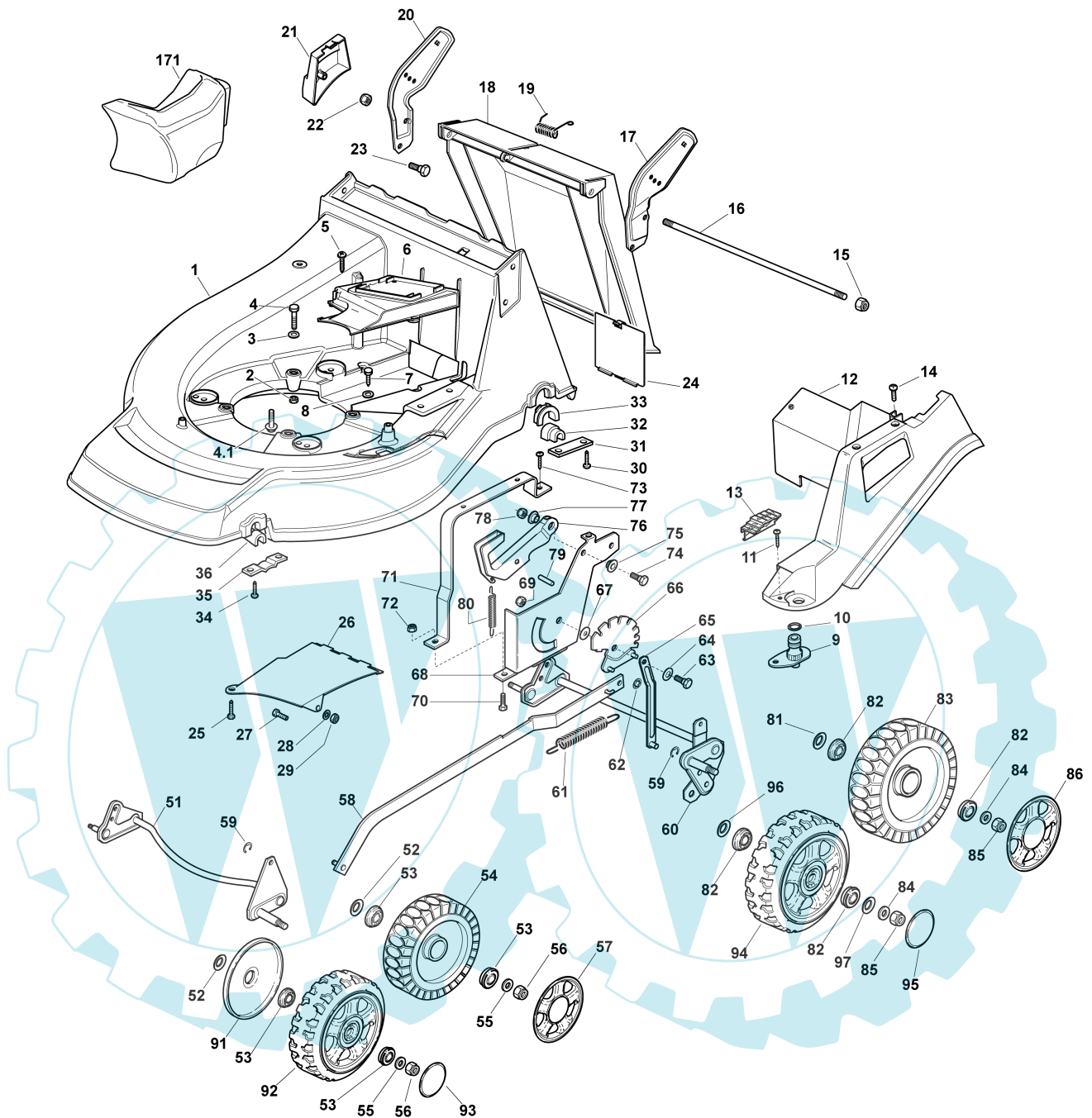
NP 534



2007

831.0

1 / 3



POS.	CODE	Q.TY	DESCRIZIONE	DESCRIPTION	DESCRIPTION	BESCHREIBUNG	REMARKS
1	81003543/0	1	CHASSIS ROSSO	DECK RED	CHÂSSIS ROUGE	GEHÄUSE ROT	
2	12155000/0	3	DADO	NUT	ECROU	MUTTER	
3	12521350/0	3	ROSETTA	WASHER	RONDELLE	SCHEIBE	
4	12691800/0	2	VITE	SCREW	VIS	SCHRAUBE	(B&S)
-	12692080/0	1	VITE	SCREW	VIS	SCHRAUBE	(B&S)
-	12691900/0	3	VITE	SCREW	VIS	SCHRAUBE	(GGP ENGINE)
-	12735108/0	3	VITE	SCREW	VIS	SCHRAUBE	(HONDA)
5	12728522/0	2	VITE	SCREW	VIS	SCHRAUBE	
6	22060200/1	1	CARTER CINGHIA	PROTECTION, BELT	PROTECTION COURROIRE	SCHUTZ, RIEMEN	
7	12729600/0	1	VITE	SCREW	VIS	SCHRAUBE	
8	12523040/0	2	ROSETTA	WASHER	RONDELLE	SCHEIBE	

POS.	CODE	Q.TY	DESCRIZIONE	DESCRIPTION	DESCRIPTION	BESCHREIBUNG	REMARKS
9	22034000/0	1	ATTACCO ACQUA LAVAGGIO	WASHING CONNECTION	ATTAQUE LAVAGE	WASCHENVERBINDUNG	
10	19035000/0	1	ANELLO OR	OR RING	BAGUE OR	RING OR	
11	12728519/0	3	VITE	SCREW	VIS	SCHRAUBE	
12	22060144/1	1	CARTER REGOLAZIONE	DECK, ADJUSTMENT	CHÂSSIS REGLAGE	GEHÄUSE VERSTELLUNG	
13	22570200/0	1	PLACCHETTA POSIZIONI	PLATE, CUTTING POSITIONS	PLAQUETTE REGLAGE	PLATTE, HÖHEVERSTELLUNG	
14	12728520/0	1	VITE	SCREW	VIS	SCHRAUBE	
15	12155000/0	2	DADO	NUT	ECROU	MUTTER	
16	22517856/1	1	PERNO	PIN	PIVOT	BOLZEN	
17	22778397/1	1	STAFFA SX	BRACKET, L	BRIDE G	PRATZE, LINKE	
18	22600023/2	1	PARASASSI	STONE-GUARD	PARE-PIERRES	PRALLBLECH	
19	22450270/0	1	MOLLA	SPRING	RESSORT	FEDER	
20	22778396/1	1	STAFFA DX	BRACKET, R	BRIDE D	PRATZE, RECHTE	
21	22601001/0	1	PROTEZIONE	PROTECTION	PROTECTION	SCHUTZ	
22	12155000/0	2	DADO	NUT	ECROU	MUTTER	
23	12793301/0	2	VITE	SCREW	VIS	SCHRAUBE	
24	22595352/0	1	PORTINA CHIUSURA	INSPECTION DOOR	VOYANT DE VISITE	ABDECKPLATTE	
25	12729600/0	1	VITE	SCREW	VIS	SCHRAUBE	
26	22108205/0	1	CONVOGLIATORE	CONVEYOR	CONVOYEUR	KONVEYOR	
27	12789000/0	1	VITE	SCREW	VIS	SCHRAUBE	
28	12523020/0	1	ROSETTA	WASHER	RONDELLE	SCHEIBE	
29	12154330/0	1	DADO	NUT	ECROU	MUTTER	
30	12731350/0	4	VITE	SCREW	VIS	SCHRAUBE	
31	22545145/0	2	PIASTRINA	PLATE	PLAQUETTE	PLÄTTCHEN	
32	22038399/0	2	BRONZINA	BRASS	DOUILLE	BUCHSE	
33	22038407/0	2	BRONZINA	BRASS	DOUILLE	BUCHSE	
34	12731350/0	4	VITE	SCREW	VIS	SCHRAUBE	
35	22545156/0	2	PIASTRINA	PLATE	PLAQUETTE	PLÄTTCHEN	
36	22038400/1	2	BRONZINA	BRASS	DOUILLE	BUCHSE	
51	81002801/1	1	ASSE RUOTE ANTERIORI	AXLE, FRONT WHEELS	AXE ROUES AVANT	ACHSE, VORDERRAD	
52	12530150/0	2	ROSETTA ELASTICA	SPRING WASHER	RONDELLE ELASTIQUE	ELASTISCHE SCHEIBE	
53	22122200/0	4	CUSCINETTO	BEARING	COUSSINET	LAGER	
54	81007317/0	2	RUOTA Ø 170	WHEEL Ø 170	ROUE Ø 170	RAD, Ø 170	
55	12369500/0	2	DISCO ELASTICO	ELASTIC WASHER	DISQUE ELASTIQUE	FEDERSCHEIBE	
56	12155000/0	2	DADO	NUT	ECROU	MUTTER	
57	---	2	COPRIMOZZO	HUB CAP	COUVRE-MOYEU	RADKAPPE	(SEE ENCLOSURE 1)
58	81001134/0	1	ASTA COMANDO REGOL. ALTEZZA	ROD, HEIGHT ADJUSTMENT CONTROL	TIGE COMMANDE REGLAGE HAUTEUR	STANGE, HÖHEVERSTELLUNG	(B&S - GGP ENGINE)
-	81001136/0	1	ASTA COMANDO REGOL. ALTEZZA	ROD, HEIGHT ADJUSTMENT CONTROL	TIGE COMMANDE REGLAGE HAUTEUR	STANGE, HÖHEVERSTELLUNG	(HONDA)
59	12000930/0	2	ANELLO ELASTICO	SNAP RING	ANNEAU RESSORT	SPRENGRING	
60	81002804/1	1	ASSE RUOTE POSTERIORI	AXLE, REAR WHEELS	AXE ROUES ARRIERE	ACHSE, HINTERRAD	
61	22446180/0	1	MOLLA	SPRING	RESSORT	FEDER	
62	12604899/0	2	FISSATORE A CORONA	CROWN FASTENER	FIXATEUR A COURONNE	KRONESCHEIBE	
63	22529662/0	1	PERNO FULCRO	FULCRUM PIN	PIVOT	GELENKPUNKT	
64	22672151/0	1	ROSETTA	WASHER	RONDELLE	SCHEIBE	
65	81001269/0	1	ASTA ASSE POSTERIORE	ROD, REAR WHEELS AXLE	TIGE, AXE ROUE ARRIERES	STANGE, HINTERRADACHSE	
66	81000479/0	1	SETTORE REGOLAZIONE ALTEZZA	SECTOR, HEIGHT ADJUSTMENT	SECTEUR REGLAGE HAUTEUR	SEKTOR, HÖHEVERSTELLUNG	
67	22672152/0	1	ROSETTA	WASHER	RONDELLE	SCHEIBE	

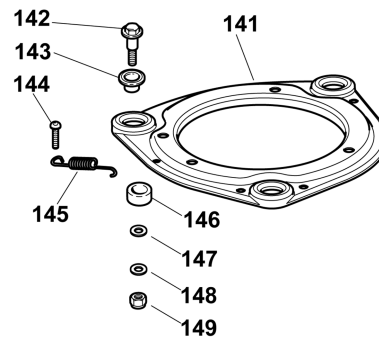
POS.	CODE	Q.TY	DESCRIZIONE	DESCRIPTION	DESCRIPTION	BESCHREIBUNG	REMARKS
68	22785109/0	1	SUPPORTO REGOLAZIONE ALTEZZA	SUPPORT, HEIGHT ADJUSTMENT	SUPPORT REGLAGE	HALTER, HÖHEVERSTELLUNG	
69	12293201/0	1	DADO	NUT	ECROU	MUTTER	
70	12793301/0	2	VITE	SCREW	VIS	SCHRAUBE	
71	22785113/0	1	SUPPORTO MANIGLIA	SUPPORT, HANDLE	SUPPORT POIGNÉE	HALTER, GRIFF	
72	12293201/0	2	DADO	NUT	ECROU	MUTTER	
73	12729600/0	1	VITE	SCREW	VIS	SCHRAUBE	
74	12793301/0	1	VITE	SCREW	VIS	SCHRAUBE	
75	25038002/1	2	BUSSOLA	BUSH	DOUILLE	BUCHSE	
76	22393611/1	1	MANIGLIA	HANDLE	POIGNÉE	GRIFF	
78	12293201/0	1	DADO	NUT	ECROU	MUTTER	
79	12622640/0	1	SPINA	PIN	GOUPILLE	STIFT	
80	22446175/0	1	MOLLA	SPRING	RESSORT	FEDER	
81	12530150/0	2	ROSETTA ELASTICA	SPRING WASHER	RONDELLE ELASTIQUE	ELASTISCHE SCHEIBE	
82	22122200/0	4	CUSCINETTO	BEARING	COUSSINET	LAGER	
83	81007318/1	2	RUOTA Ø 210	WHEEL Ø 210	ROUE Ø 210	RAD. Ø 210	
84	12521350/0	2	ROSETTA	WASHER	RONDELLE	SCHEIBE	
85	12155000/0	2	DADO	NUT	ECROU	MUTTER	
86	---	2	COPRIMOZZO	HUB CAP	COUVRE-MOYEU	RADKAPPE	(SEE ENCLOSURE 2)
91	22600144/0	2	PROTEZIONE	PROTECTION	PROTECTION	SCHUTZ	
92	81007376/0	2	RUOTA Ø 170	WHEEL Ø 170	ROUE Ø 170	RAD. Ø 170	
93	22110418/0	2	COPRIMOZZO	HUB CAP	COUVRE-MOYEU	RADKAPPE	
94	81007382/0	2	RUOTA Ø 210	WHEEL Ø 210	ROUE Ø 210	RAD. Ø 210	
95	22110419/0	2	COPRIMOZZO	HUB CAP	COUVRE-MOYEU	RADKAPPE	
96	22675100/0	2	ROSETTA	WASHER	RONDELLE	SCHEIBE	
97	22672151/0	2	ROSETTA	WASHER	RONDELLE	SCHEIBE	
171	22140224/0	1	TAPPO	CAP	BOUCHON	GUMMISTOPFEN	

NP 534

2007

831a.0

1 / 1



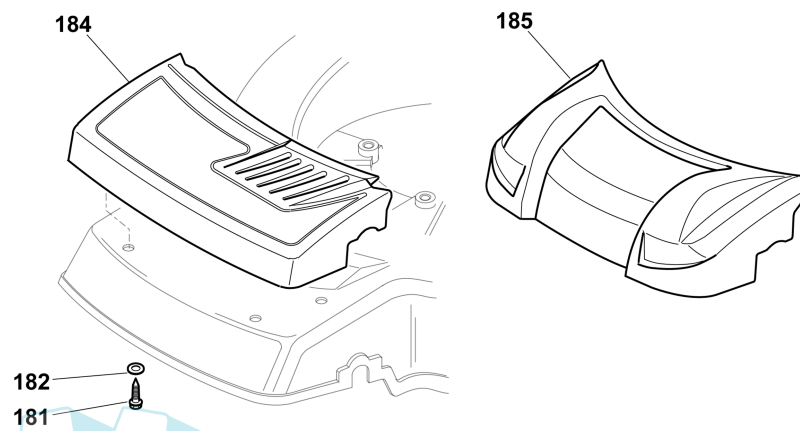
POS.	CODE	Q.TY	DESCRIZIONE	DESCRIPTION	DESCRIPTION	BESCHREIBUNG	REMARKS
141	22207223/0	1	FLANGIA	FLANGE	BRIDE	FLANSCH	
142	22524329/0	3	PERNO	PIN	PIVOT	BOLZEN	
143	22672201/0	3	ROSETTA	WASHER	RONDELLE	SCHEIBE	
144	12729601/1	1	VITE	SCREW	VIS	SCHRAUBE	
145	22450445/0	1	MOLLA	SPRING	RESSORT	FEDER	
146	22250012/0	3	GOMMINO	GROMMET	PROCTECION	SCHUTZ	
147	22671651/0	3	ROSETTA	WASHER	RONDELLE	SCHEIBE	
148	12521350/0	3	ROSETTA	WASHER	RONDELLE	SCHEIBE	
149	12155000/0	3	DADO	NUT	ECROU	MUTTER	

NP 534

2007

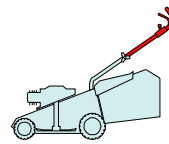
831b.0

1 / 1



POS.	CODE	Q.TY	DESCRIZIONE	DESCRIPTION	DESCRIPTION	BESCHREIBUNG	REMARKS
181	12735402/0	4	VITE	SCREW	VIS	SCHRAUBE	
182	12523040/0	4	ROSETTA	WASHER	RONDELLE	SCHEIBE	
184	22226050/0	1	MASCHERINA, NERO	MASK, BLACK	MESQUE, NOIR	MASKE, SCHWARZ	
185	22226112/0	1	MASCHERINA, GRIGIO	MASK, GREY	MESQUE, GRIS	MASKE, GRAU	

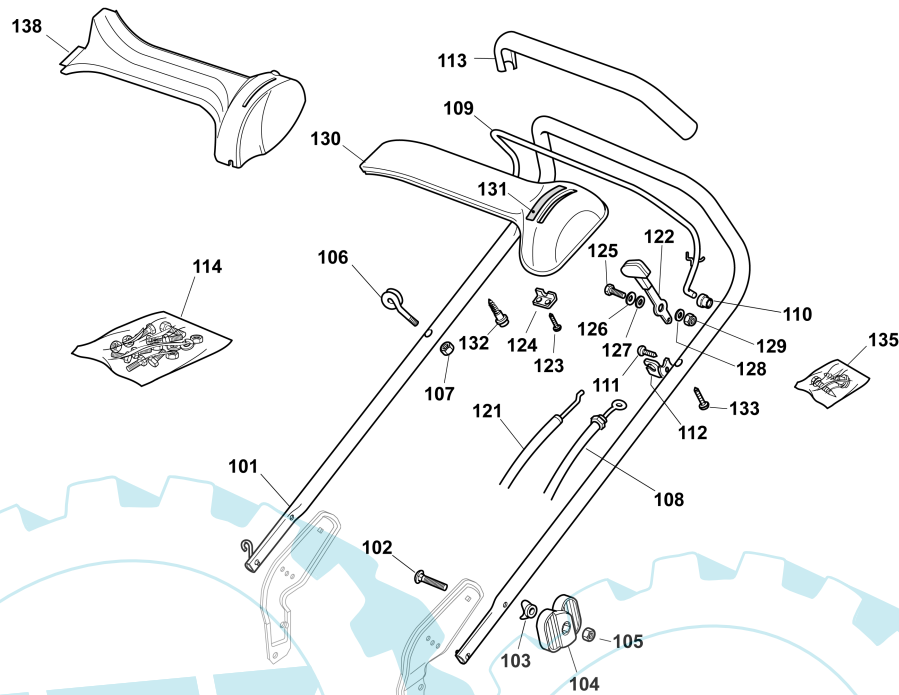
NP 534



2007

832.0

1 / 2



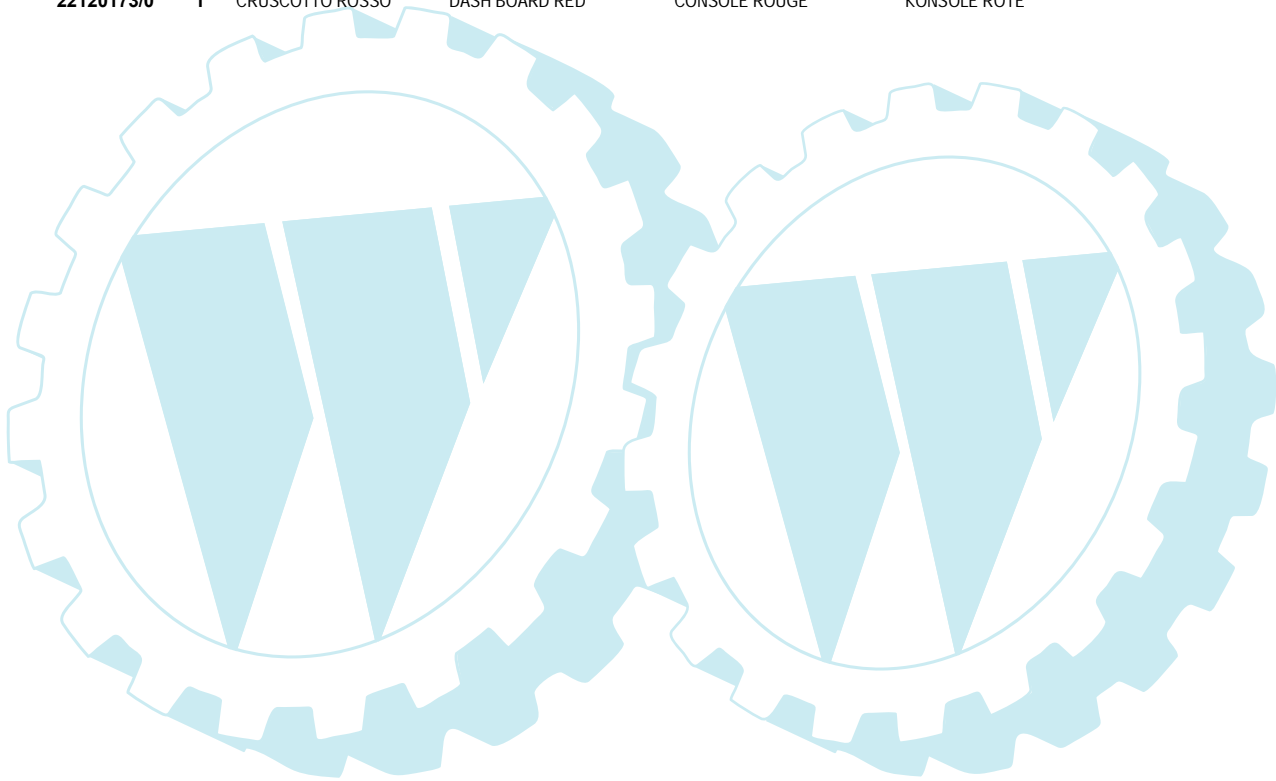
POS.	CODE	Q.TY	DESCRIZIONE	DESCRIPTION	DESCRIPTION	BESCHREIBUNG	REMARKS
101	81006859/0	1	MANICO, PARTE SUP	HANDLE, UPPER PART	MANCHERON, PARTIE SUPERIEURE	HOLM, OBERTEIL	
102	12819120/0	2	VITE	SCREW	VIS	SCHRAUBE	
103	22680006/1	2	ROSETTA	WASHER	RONDELLE	SCHEIBE	
104	22399803/0	2	MANOPOLINA	KNOB	POIGNÉE	GRIFF	
105	12293200/0	2	DADO	NUT	ECROU	MUTTER	
106	22430309/0	1	MOLLA GUIDA	GUIDE SPRING	RESSORT DE GUIDE	FEDER FÜHRER	
107	12154330/0	1	DADO	NUT	ECROU	MUTTER	
108	81000631/0	1	CAVO FRENO MOTORE	CABLE, THREAD ENG. BRAKE	CABLE FREIN MOTEUR	KABEL, MOTORBREMSE	(B&S)
-	81000634/0	1	CAVO FRENO MOTORE	CABLE, THREAD ENG. BRAKE	CABLE FREIN MOTEUR	KABEL, MOTORBREMSE	(GGP ENGINE SV200)
-	81000616/1	1	CAVO FRENO MOTORE	CABLE, THREAD ENG. BRAKE	CABLE FREIN MOTEUR	KABEL, MOTORBREMSE	(HONDA)
109	81003291/3	1	LEVA FRENO MOTORE	LEVER, MOTOR BRAKE	LEVIER FREIN MOTEUR	HEBEL, MOTORBREMSE	
110	22041966/0	2	BUSSOLA	BUSH	DOUILLE	BUCHSE	
111	12728518/0	1	VITE	SCREW	VIS	SCHRAUBE	
112	22806612/0	1	SUPPORTO	SUPPORT	SUPPORT	HALTER	
113	22291050/0	1	IMPUGNATURA MANICO NERA	HANDGRIP BLACK	POIGNÉE NOIRE	HANDGRIFF SCHWARZER	
114	81008610/0	1	DOTAZIONE VITERIA	OUTFIT, SCREWS	DOTATION VISSERIE	SATZ, SCHRAUBEN	
121	81007160/0	1	CAVO ACCELERATORE	CABLE, TROTTLE	CABLE, ACCELERATEUR	KABLE, BESCHLEUNIGER	
122	81007221/0	1	LEVA, ACCELERATORE	LEVER, THROTTLE	LEVIER, ACCELERATEUR	HEBEL, BESHLEUNIGER	(B&S CLASSIC/SPRINT/LS/LC - GGP ENGINE M150/SV150)
-	81007280/2	1	LEVA, ACCELERATORE	LEVER, THROTTLE	LEVIER, ACCELERATEUR	HEBEL, BESHLEUNIGER	(B&S QUANTUM - HONDA - GGP ENGINE SV200)
123	12735105/0	2	VITE	SCREW	VIS	SCHRAUBE	
124	22981467/0	1	PIASTRINA	PLATE	PLAQUETTE	PLÄTTCHEN	
125	12791500/0	1	VITE	SCREW	VIS	SCHRAUBE	
126	12530060/0	1	ROSETTA ELASTICA	SPRING WASHER	RONDELLE ELASTIQUE	ELASTISCHE SCHEIBE	

2007

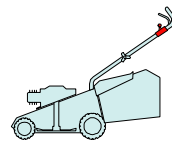
832.0

2 / 2

POS.	CODE	Q.TY	DESCRIZIONE	DESCRIPTION	DESCRIPTION	BESCHREIBUNG	REMARKS
127	12523040/0	1	ROSETTA	WASHER	RONDELLE	SCHEIBE	
128	12523040/0	1	ROSETTA	WASHER	RONDELLE	SCHEIBE	
129	12154510/0	1	DADO	NUT	ECROU	MUTTER	
130	22120152/0	1	CRUSCOTTO GIALLO	DASH BOARD YELLOW	CONSOLE JAUNE	KONSOLE GELBE	
-	22120158/0	1	CRUSCOTTO NERO	DASH BOARD BLACK	CONSOLE NOIRE	KONSOLE SCHWARZE	
-	22120154/0	1	CRUSCOTTO ROSSO	DASH BOARD RED	CONSOLE ROUGE	KONSOLE ROTE	
131	14356744/0	1	ETICHETTA	LABEL	ETIQUETTE	ETIKETTE	(B&S)
-	14356743/0	1	ETICHETTA	LABEL	ETIQUETTE	ETIKETTE	(HONDA - GGP ENGINE)
132	22943006/0	1	VITE	SCREW	VIS	SCHRAUBE	
133	12728460/0	1	VITE	SCREW	VIS	SCHRAUBE	
135	81008609/0	1	DOTAZIONE VITERIA CRUSCOTTO	OUTFIT, DASH-BOARD SCREWS	DOTATION VISSERIE CONSOLLE	SATZ, KONSOLE SCHRAUBEN	
138	22120174/0	1	CRUSCOTTO GIALLO	DASH BOARD YELLOW	CONSOLE JAUNE	KONSOLE GELBE	
-	22120172/0	1	CRUSCOTTO NERO	DASH BOARD BLACK	CONSOLE NOIRE	KONSOLE SCHWARZE	
-	22120173/0	1	CRUSCOTTO ROSSO	DASH BOARD RED	CONSOLE ROUGE	KONSOLE ROTE	



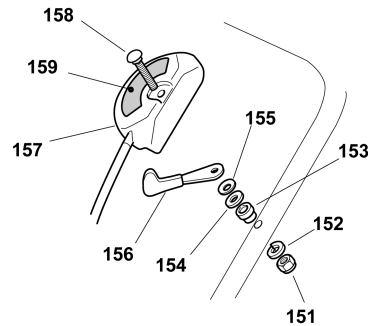
NP 534



2007

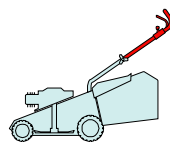
832a.0

1 / 1



POS.	CODE	Q.TY	DESCRIZIONE	DESCRIPTION	DESCRIPTION	BESCHREIBUNG	REMARKS
151	12291000/0	1	DADO	NUT	ECROU	MUTTER	
152	12581500/0	1	GROWER	GROWER	GROWER	FEDERRING	
153	22171005/0	1	DISTANZIALE	SPACER	ENTRETOISE	DISTANZRING	
154	12521360/0	1	ROSETTA	WASHER	RONDELLE	SCHEIBE	
155	12508100/0	1	ROSETTA ELASTICA	SPRING WASHER	RONDELLE ELASTIQUE	ELASTISCHE SCHEIBE	
156	81007220/0	1	LEVA, ACCELERATORE	LEVER, THROTTLE	LEVIER, ACCELERATEUR	HEBEL, BESHLEUNIGER	(B&S CLASSIC/SPRINT/LS/LC - GGP ENGINE M150/SV150)
-	81007279/1	1	LEVA, ACCELERATORE	LEVER, THROTTLE	LEVIER, ACCELERATEUR	HEBEL, BESHLEUNIGER	(B&S QUANTUM - HONDA - GGP ENGINE SV200)
157	81007080/0	1	CAVO ACCELERATORE	CABLE, TROTTLE	CABLE, ACCELERATEUR	KABLE, BESCHLEUNIGER	
158	12815000/0	1	VITE	SCREW	VIS	SCHRAUBE	
159	14356703/0	1	ETICHETTA	LABEL	ETIQUETTE	ETIKETTE	(B&S)
-	14356702/0	1	ETICHETTA	LABEL	ETIQUETTE	ETIKETTE	(GGP ENGINE - HONDA)

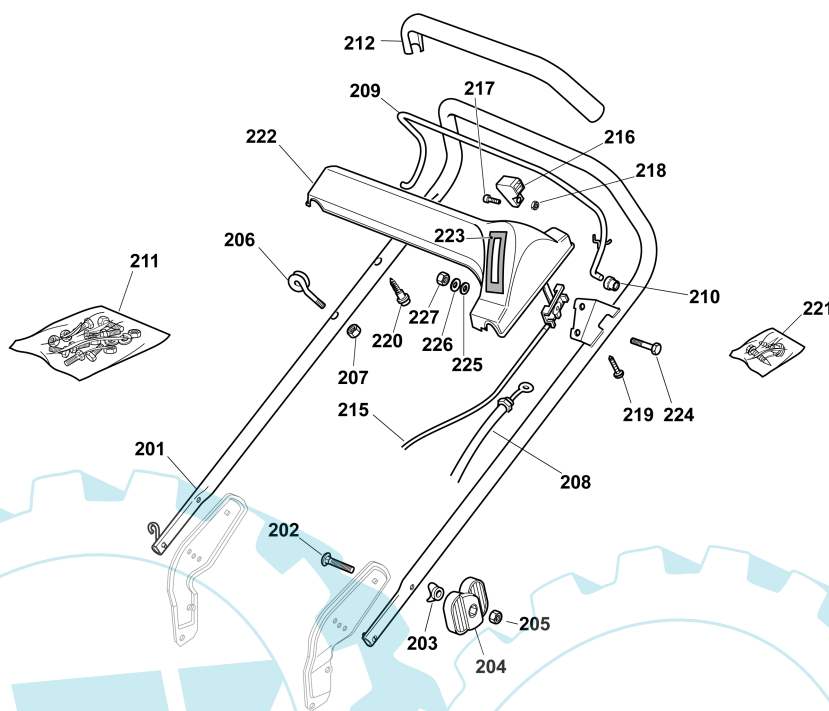
NP 534



2007

832b.0

1 / 2



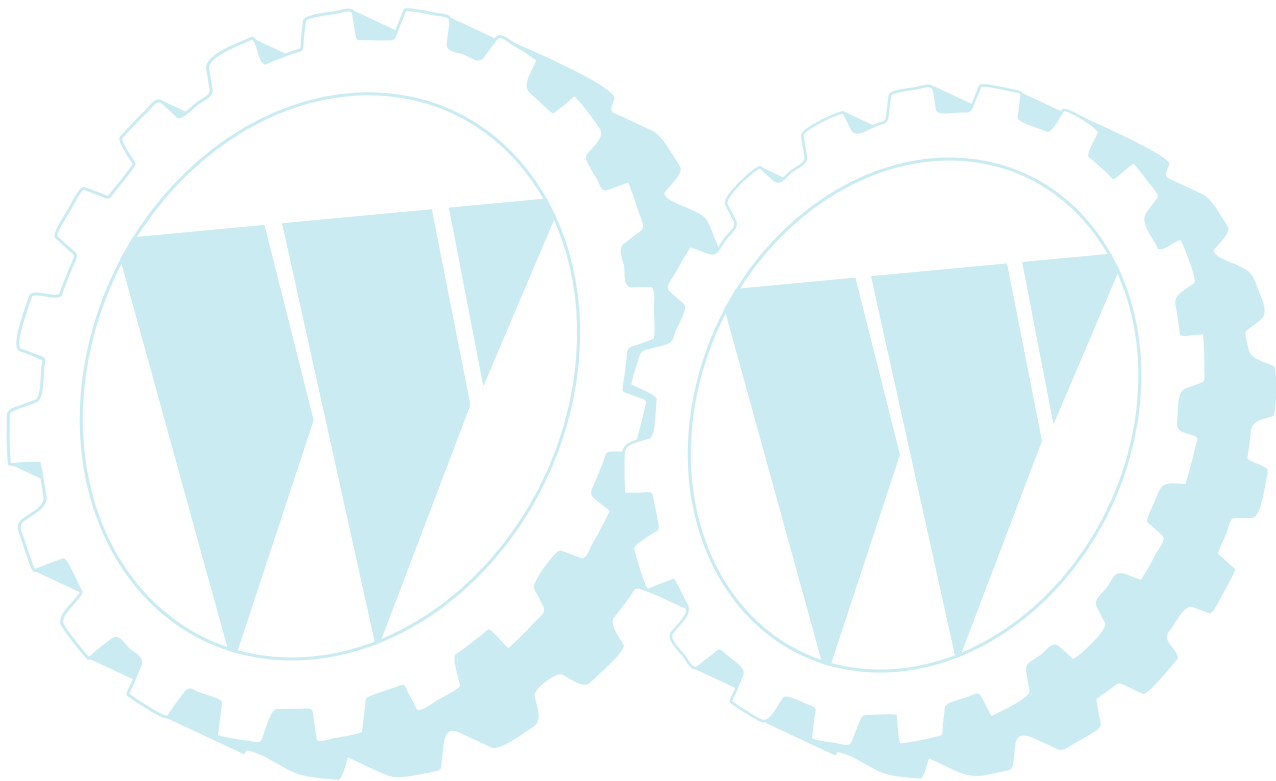
POS.	CODE	Q.TY	DESCRIZIONE	DESCRIPTION	DESCRIPTION	BESCHREIBUNG	REMARKS
201	81007022/1	1	MANICO, PARTE SUP	HANDLE, UPPER PART	MANCHERON, PARTIE SUPERIEURE	HOLM, OBERTEIL	
202	12819120/0	2	VITE	SCREW	VIS	SCHRAUBE	
203	22680006/1	2	ROSETTA	WASHER	RONDELLE	SCHEIBE	
204	22399803/0	2	MANOPOLINA	KNOB	POIGNÉE	GRIFF	
205	12293200/0	2	DADO	NUT	ECROU	MUTTER	
206	22430309/0	1	MOLLA GUIDA	GUIDE SPRING	RESSORT DE GUIDE	FEDER FÜHRER	
207	12154330/0	1	DADO	NUT	ECROU	MUTTER	
208	81000631/0	1	CAVO FRENO MOTORE	CABLE, THREAD ENG. BRAKE	CABLE FREIN MOTEUR	KABEL, MOTORBREMSE	(B&S)
-	81000634/0	1	CAVO FRENO MOTORE	CABLE, THREAD ENG. BRAKE	CABLE FREIN MOTEUR	KABEL, MOTORBREMSE	(GGP ENGINE SV200)
-	81000616/1	1	CAVO FRENO MOTORE	CABLE, THREAD ENG. BRAKE	CABLE FREIN MOTEUR	KABEL, MOTORBREMSE	(HONDA)
209	81003291/3	1	LEVA FRENO MOTORE	LEVER, MOTOR BRAKE	LEVIER FREIN MOTEUR	HEBEL, MOTORBREMSE	
210	22041966/0	2	BUSSOLA	BUSH	DOUILLE	BUCHSE	
211	81008610/0	1	DOTAZIONE VITERIA	OUTFIT, SCREWS	DOTATION VISSERIE	SATZ, SCHRAUBEN	
212	22291050/0	1	IMPUGNATURA MANICO NERA	HANDGRIP BLACK	POIGNÉE NOIRE	HANDGRIFF SCHWARZER	
215	81007091/0	1	CAVO ACCELERATORE	CABLE, TROTTLE	CABLE, ACCELERATEUR	KABLE, BESCHLEUNIGER	(B&S)
-	81007092/0	1	CAVO ACCELERATORE	CABLE, TROTTLE	CABLE, ACCELERATEUR	KABLE, BESCHLEUNIGER	(HONDA - GGP ENGINE)
216	22399801/0	1	MANOPOLINA	KNOB	POIGNÉE	GRIFF	
217	12726388/0	1	VITE	SCREW	VIS	SCHRAUBE	
218	12290800/0	1	DADO	NUT	ECROU	MUTTER	
219	12728460/0	1	VITE	SCREW	VIS	SCHRAUBE	
220	22943006/0	1	VITE	SCREW	VIS	SCHRAUBE	
221	81008499/1	1	DOTAZIONE VITERIA CRUSCOTTO	OUTFIT, DASH-BOARD SCREWS	DOTATION VISSERIE CONSOLLE	SATZ, KONSOLE SCHRAUBEN	
222	22120148/0	1	CRUSCOTTO GIALLO	DASH BOARD YELLOW	CONSOLE JAUNE	KONSOLE GELBE	
-	22120164/0	1	CRUSCOTTO NERO	DASH BOARD BLACK	CONSOLE NOIRE	KONSOLE SCHWARZE	
-	22120150/0	1	CRUSCOTTO ROSSO	DASH BOARD RED	CONSOLE ROUGE	KONSOLE ROTE	

2007

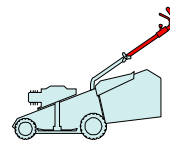
832b.0

2 / 2

POS.	CODE	Q.TY	DESCRIZIONE	DESCRIPTION	DESCRIPTION	BESCHREIBUNG	REMARKS
223	14356693/0	1	ETICHETTA	LABEL	ETIQUETTE	ETIKETTE	(B&S)
-	14361477/0	1	ETICHETTA	LABEL	ETIQUETTE	ETIKETTE	(GGP ENGINE)
-	14356692/0	1	ETICHETTA	LABEL	ETIQUETTE	ETIKETTE	(HONDA)
224	12788910/0	2	VITE	SCREW	VIS	SCHRAUBE	
225	12523020/0	2	ROSETTA	WASHER	RONDELLE	SCHEIBE	
226	12581500/0	2	GROWER	GROWER	GROWER	FEDERRING	
227	12291000/0	2	DADO	NUT	ECROU	MUTTER	



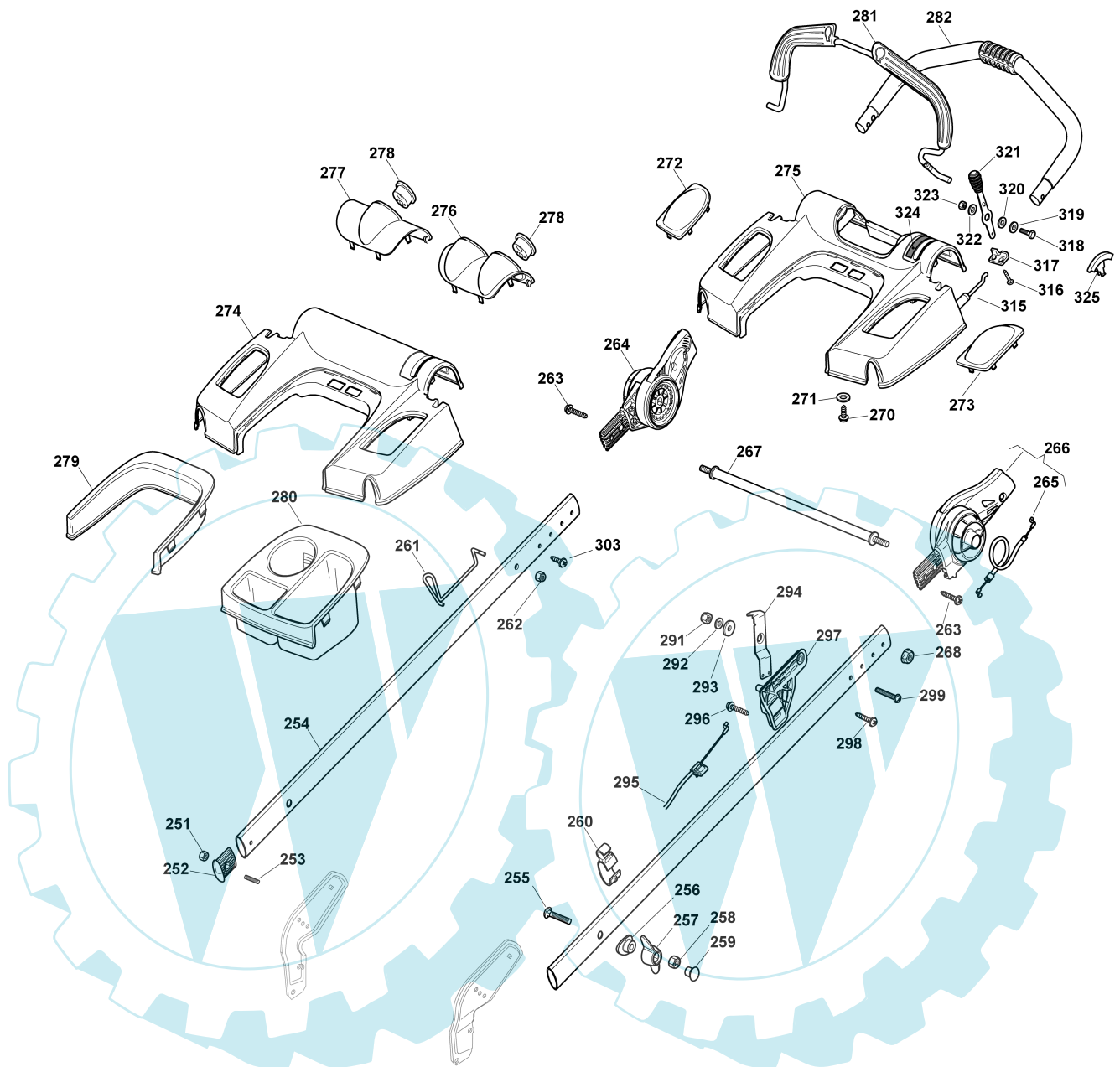
NP 534



2007

832c.0

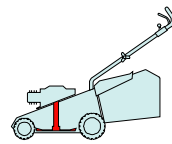
1 / 2



POS.	CODE	Q.TY	DESCRIZIONE	DESCRIPTION	DESCRIPTION	BESCHREIBUNG	REMARKS
251	12154510/0	2	DADO	NUT	ECROU	MUTTER	
252	22820071/0	2	PUNTALE	CAP	BOUCHON	GUMMISTOPFEN	
253	12789450/0	2	VITE	SCREW	VIS	SCHRAUBE	
254	22498105/0	2	MANICO	HANDLE	MANCHERON	HOLM	
255	12819110/0	2	VITE	SCREW	VIS	SCHRAUBE	
256	22680012/0	2	ROSETTA	WASHER	RONDELLE	SCHEIBE	
257	22399821/0	2	MANOPOLINA	KNOB	POIGNÉE	GRIFF	
258	12293200/0	2	DADO	NUT	ECROU	MUTTER	
259	22820072/0	2	DADO	NUT	ECROU	MUTTER	
260	22192003/0	1	FERMACAVO	FAIRLEAD	FIXATION CABLE	KABELBEFESTIGUNG	
261	22430316/0	1	MOLLA GUIDA	GUIDE SPRING	RESSORT DE GUIDE	FEDER FÜHRER	
262	12154330/0	1	DADO	NUT	ECROU	MUTTER	
263	12728692/0	2	VITE	SCREW	VIS	SCHRAUBE	
264	81745001/0	1	SNODO	JOINT	JOINT	GELENK	

POS.	CODE	Q.TY	DESCRIZIONE	DESCRIPTION	DESCRIPTION	BESCHREIBUNG	REMARKS
265	81000750/0	1	CAVO	CABLE	CABLE	KABEL	
266	81745002/0	1	SNODO	JOINT	JOINT	GELENK	
267	22608537/0	1	RINFORZO	STIFFENING	RÉNFORCEMENT	VERSTAERKUNG	
268	12293201/0	2	DADO	NUT	ECROU	MUTTER	
270	12728691/0	2	VITE	SCREW	VIS	SCHRAUBE	
271	12523050/0	2	ROSETTA	WASHER	RONDELLE	SCHEIBE	
272	22557155/0	1	COPERCHIO	COVER	COUVERCLE	DECKEL	
273	22557156/0	1	COPERCHIO	COVER	COUVERCLE	DECKEL	
274	22120184/0	1	CRUSCOTTO	DASH BOARD	CONSOLE	KONSOLE	
275	22120185/0	1	CRUSCOTTO	DASH BOARD	CONSOLE	KONSOLE	
276	22109542/0	1	COPERCHIO	COVER	COUVERCLE	DECKEL	
277	22109541/0	1	COPERCHIO	COVER	COUVERCLE	DECKEL	
278	22480000/0	1	OROLOGIO	CLOCK	MONTRE	UHR	
279	22109543/0	1	PROTEZIONE	PROTECTION	PROTECTION	SCHUTZ	
280	22109540/0	1	VASCHETTE PORTAOGGETTI	TRAY	BAC DE RANGEMENT	ABLAGE	
281	81003325/0	1	LEVA FRENO MOTORE	LEVER, MOTOR BRAKE	LEVIER FREIN MOTEUR	HEBEL, MOTORBREMSE	
282	81006670/0	1	IMPUGNATURA MANICO	HANDGRIP	POIGNÉE	HANDGRIFF	
291	12154330/0	1	DADO	NUT	ECROU	MUTTER	
292	12523020/0	1	ROSETTA	WASHER	RONDELLE	SCHEIBE	
293	22680013/0	1	RONDELLA	WASHER	RONDELLE	SCHEIBE	
294	22551657/0	1	LEVA	LEVER	LEVIER	HEBEL	
295	81000751/0	1	CAVO FRENO MOTORE	CABLE, THREAD ENG. BRAKE	CABLE FREIN MOTEUR	KABEL, MOTORBREMSE	(B&S)
-	81000752/0	1	CAVO FRENO MOTORE	CABLE, THREAD ENG. BRAKE	CABLE FREIN MOTEUR	KABEL, MOTORBREMSE	(HONDA - GGP ENGINE SV200)
296	12728527/0	1	VITE	SCREW	VIS	SCHRAUBE	
297	22785231/0	1	SUPPORTO	SUPPORT	SUPPORT	HALTER	
298	12728702/0	1	VITE	SCREW	VIS	SCHRAUBE	
299	12727797/0	1	VITE	SCREW	VIS	SCHRAUBE	
303	12728526/0	1	VITE	SCREW	VIS	SCHRAUBE	
315	81007160/0	1	CAVO ACCELERATORE	CABLE, TROTTLE	CABLE, ACCELERATEUR	KABLE, BESCHLEUNIGER	
316	12735105/0	2	VITE	SCREW	VIS	SCHRAUBE	
317	22981467/0	1	PIASTRINA	PLATE	PLAQUETTE	PLÄTTCHEN	
318	12791500/0	1	VITE	SCREW	VIS	SCHRAUBE	
319	12530060/0	1	ROSETTA ELASTICA	SPRING WASHER	RONDELLE ELASTIQUE	ELASTISCHE SCHEIBE	
320	12523040/0	1	ROSETTA	WASHER	RONDELLE	SCHEIBE	
321	81007225/0	1	LEVA, ACCELERATORE	LEVER, THROTTLE	LEVIER, ACCELERATEUR	HEBEL, BESHLEUNIGER	
322	12523040/0	1	ROSETTA	WASHER	RONDELLE	SCHEIBE	
323	12154510/0	1	DADO	NUT	ECROU	MUTTER	
324	14362230/0	1	ETICHETTA	LABEL	ETIQUETTE	ETIKETTE	(AVS (GGP ENGINE SV200))
-	14361912/0	1	ETICHETTA	LABEL	ETIQUETTE	ETIKETTE	(B&S)
-	14362229/0	1	ETICHETTA	LABEL	ETIQUETTE	ETIKETTE	(GGP ENGINE SV200)
-	14361913/0	1	ETICHETTA	LABEL	ETIQUETTE	ETIKETTE	(HONDA)
325	22557160/0	1	TAPPO	CAP	BOUCHON	GUMMISTOPFEN	

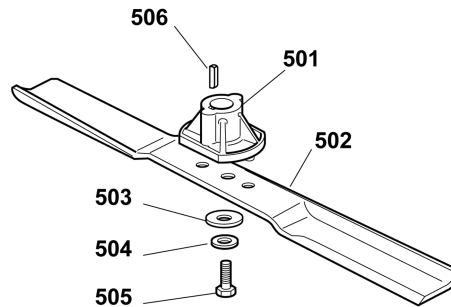
NP 534



2007

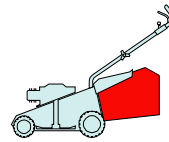
833.0

1 / 1



POS.	CODE	Q.TY	DESCRIZIONE	DESCRIPTION	DESCRIPTION	BESCHREIBUNG	REMARKS
501	22463012/2	1	MOZZO	HUB	MOYEU	HALTER	
502	81004381/1	1	COLTELLO STANDARD	BLADE STANDARD	LAME STANDARD	MESSER STANDARD	
-	81004383/0	1	COLTELLO, AVS	BLADE, AVS	LAME, AVS	MESSER, AVS	(534 AVS)
503	22160400/0	1	DISCO ELASTICO	ELASTIC WASHER	DISQUE ELASTIQUE	FEDERSCHEIBE	
504	12523080/0	1	ROSETTA	WASHER	RONDELLE	SCHEIBE	
505	12735698/0	1	VITE	SCREW	VIS	SCHRAUBE	
506	12139100/0	1	LINGUETTA	FEATHER	CLAVETTE	KEIL	

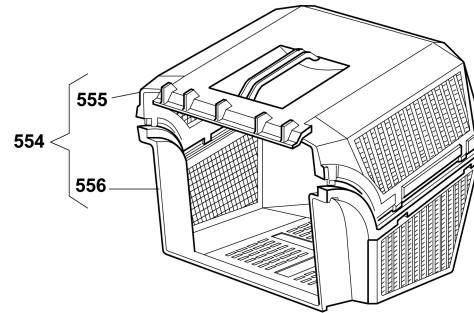
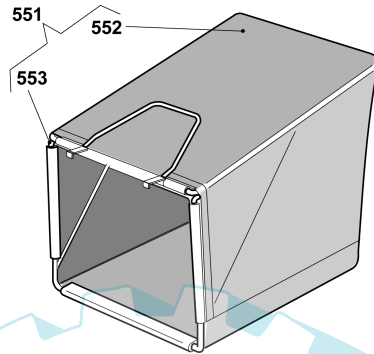
NP 534



2007

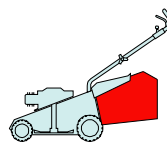
834.0

1 / 1



POS.	CODE	Q.TY	DESCRIZIONE	DESCRIPTION	DESCRIPTION	BESCHREIBUNG	REMARKS
551	96400000/0	1	SACCO IN TELA, COMPLETO	GRASSCATCHER, CANVASS COMPLETE	SAC EN TOILE, COMPLETE	SACK, KOMPLETTE	
552	81002124/1	1	SACCO, TELA	BOX, FABRIC	SAC, TOILE	SACK, TUCK	
553	81006430/0	1	TELAIO SACCO	CHASSIS BOX	CHÂSSIS BAC	RAHMEN SACK	
554	96500000/0	1	SACCO, COMPLETO	GRASSCATCHER, COMPLETE	SAC, COMPLETE	SACK, KOMPLETTE	
555	22486065/0	1	SACCO, PARTE SUP	GRASS-BOX, UPPER PART	SAC, PARTIE SUPERIEURE	KORB, OBERTEIL	
556	22486064/0	1	SACCO, PARTE INF	GRASS-BOX, LOWER PART	SAC, PARTIE INFERIEURE	KORB, UNTERTEIL	

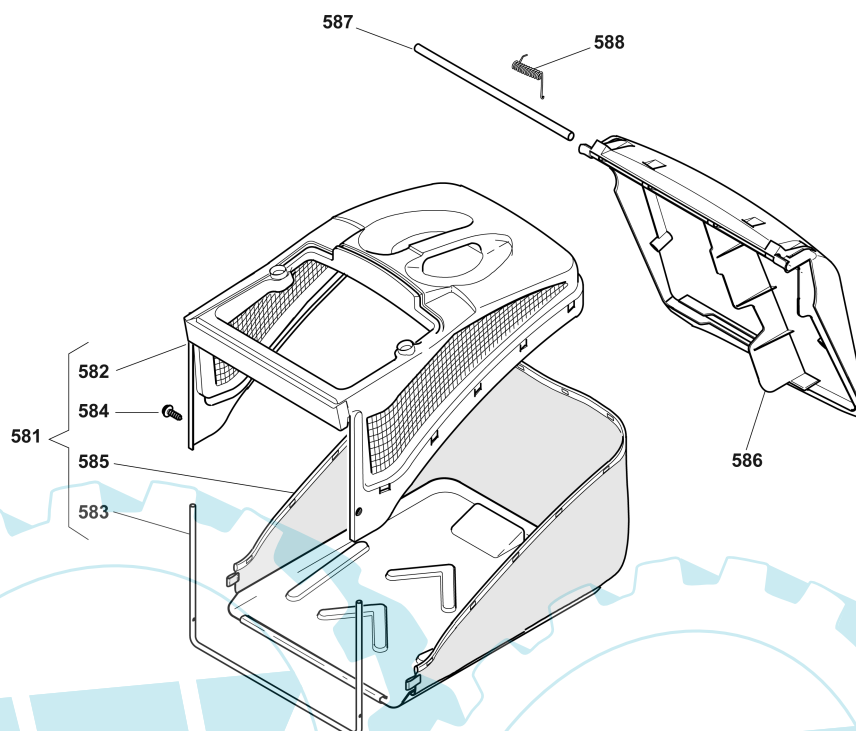
NP 534



2007

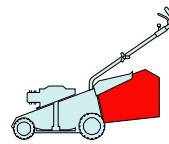
834a.0

1 / 1



POS.	CODE	Q.TY	DESRIZIONE	DESCRIPTION	DESCRIPTION	BESCHREIBUNG	REMARKS
581	92140000/1	1	SACCO COMPLETO	GRASS-BOX, COMPLETE	BAC COMPLET	KORB, KOMPLETTE	
582	22486094/0	1	SACCO, PARTE SUP	GRASS-BOX, UPPER PART	SAC, PARTIE SUPERIEURE	KORB, OBERTEIL	
583	22608524/0	1	RINFORZO INF	STIFFENING LOWER	RÉNFORCEMENT INF	VERSTÄRKUNG UNTERE	
584	12728445/0	2	VITE	SCREW	VIS	SCHRAUBE	
585	81002196/0	1	SACCO, TELA	BOX, FABRIC	SAC, TOILE	SACK, TUCK	
586	22600066/2	1	PARASASSI	STONE-GUARD	PARE-PIERRES	PRALLBLECH	
587	22517857/0	1	PERNO	PIN	PIVOT	BOLZEN	
588	22451000/0	1	MOLLA	SPRING	RESSORT	FEDER	

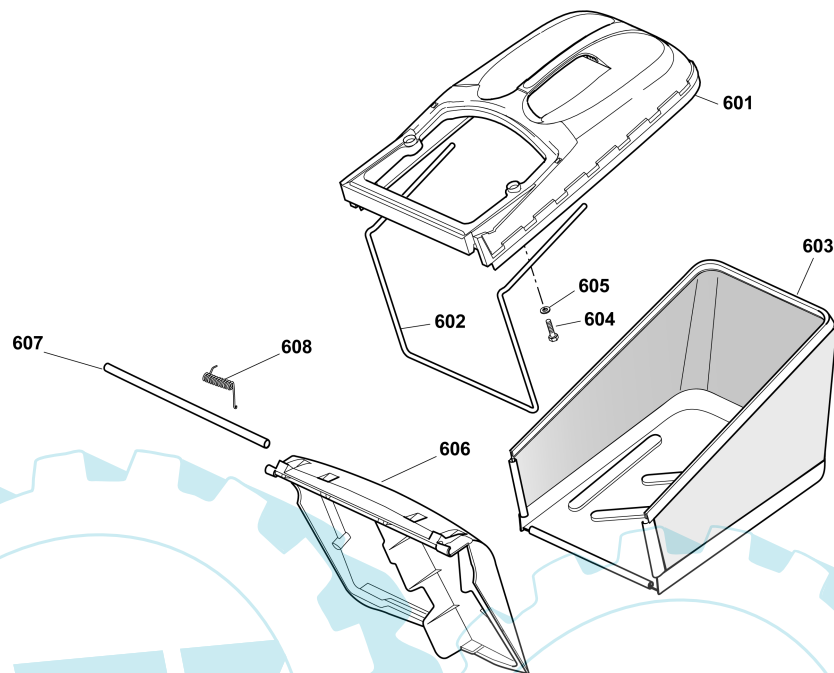
NP 534



2007

834b.0

1 / 1



POS.	CODE	Q.TY	DESCRIZIONE	DESCRIPTION	DESCRIPTION	BESCHREIBUNG	REMARKS
601	22486102/0	1	SACCO, PARTE SUP	GRASS-BOX, UPPER PART	SAC, PARTIE SUPERIEURE	KORB, OBERTEIL	
602	22608526/0	1	RINFORZO INF	STIFFENING LOWER	RÉNFORCEMENT INF	VERSTÄRKUNG UNTERE	
603	81002212/0	1	SACCO, TELA	BOX, FABRIC	SAC, TOILE	SACK, TUCK	
604	12728680/0	2	VITE	SCREW	VIS	SCHRAUBE	
605	12523050/0	2	ROSETTA	WASHER	RONDELLE	SCHEIBE	
606	22600066/2	1	PARASASSI	STONE-GUARD	PARE-PIERRES	PRALLBLECH	
607	22517857/0	1	PERNO	PIN	PIVOT	BOLZEN	
608	22451000/0	1	MOLLA	SPRING	RESSORT	FEDER	

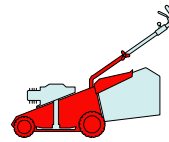
NP 534

TR

TR/E

TR 3S

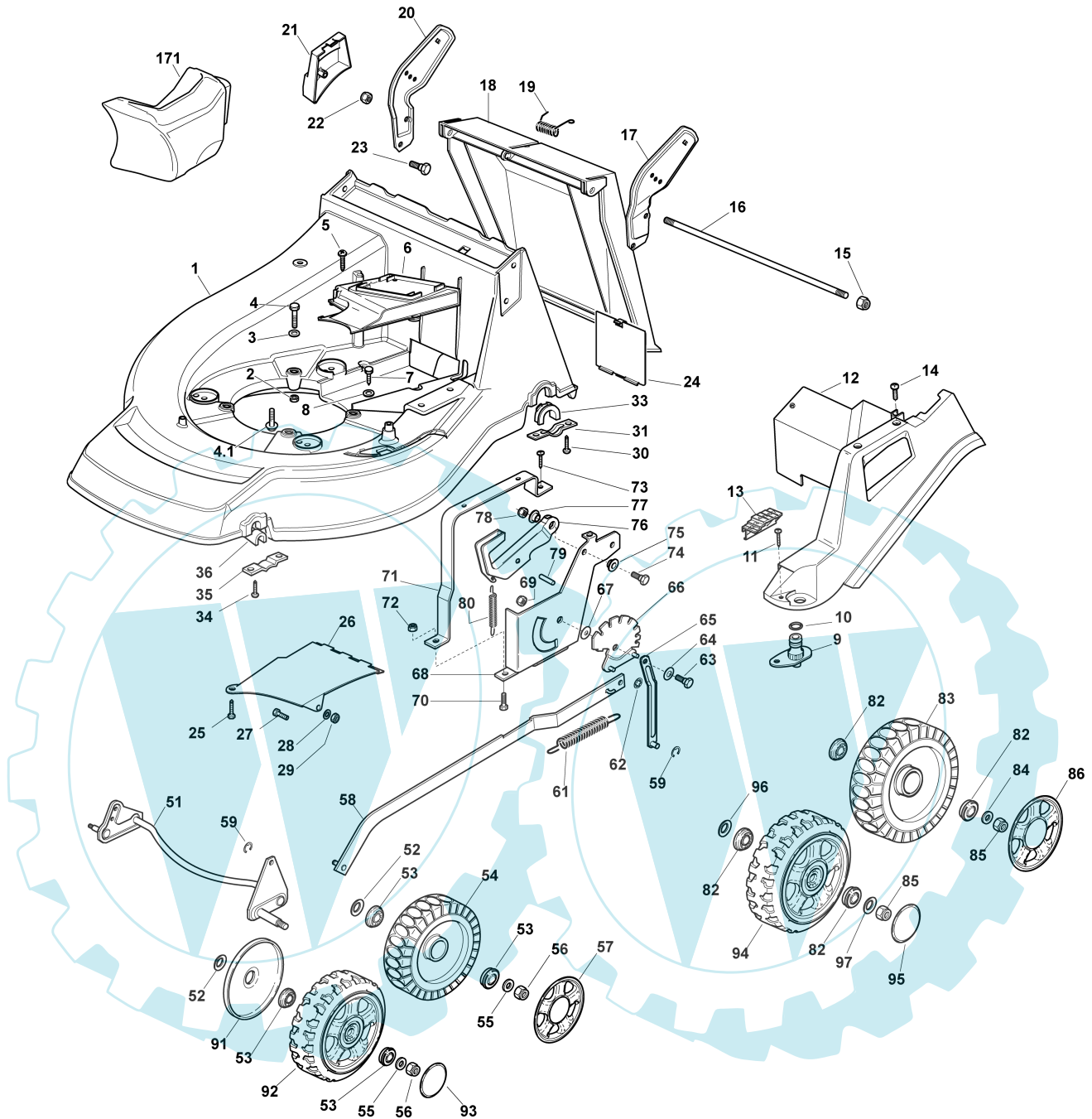
TR/E 3S



2007

841.0

1 / 3



POS.	CODE	Q.TY	DESCRIZIONE	DESCRIPTION	DESCRIPTION	BESCHREIBUNG	REMARKS
1	81003543/0	1	CHASSIS ROSSO	DECK RED	CHÂSSIS ROUGE	GEHÄUSE ROT	
2	12155000/0	3	DADO	NUT	ECROU	MUTTER	
3	12521350/0	3	ROSETTA	WASHER	RONDELLE	SCHEIBE	
4	12691800/0	2	VITE	SCREW	VIS	SCHRAUBE	(B&S)
-	12692080/0	1	VITE	SCREW	VIS	SCHRAUBE	(B&S)
-	12691900/0	3	VITE	SCREW	VIS	SCHRAUBE	(GGP ENGINE)
4.1	12735108/0	3	VITE	SCREW	VIS	SCHRAUBE	(HONDA)
5	12728522/0	2	VITE	SCREW	VIS	SCHRAUBE	
6	22060200/1	1	CARTER CINGHIA	PROTECTION, BELT	PROTECTION COURROIRE	SCHUTZ, RIEMEN	
7	12729600/0	1	VITE	SCREW	VIS	SCHRAUBE	
8	12523040/0	2	ROSETTA	WASHER	RONDELLE	SCHEIBE	
9	22034000/0	1	ATTACCO ACQUA LAVAGGIO	WASHING CONNECTION	ATTAQUE LAVAGE	WASCHENVERBINDUNG	

POS.	CODE	Q.TY	DESCRIZIONE	DESCRIPTION	DESCRIPTION	BESCHREIBUNG	REMARKS
10	19035000/0	1	ANELLO OR	OR RING	BAGUE OR	RING OR	
11	12728519/0	3	VITE	SCREW	VIS	SCHRAUBE	
12	22060144/1	1	CARTER REGOLAZIONE	DECK, ADJUSTMENT	CHÂSSIS REGLAGE	GEHÄUSE VERSTELLUNG	
13	22570200/0	1	PLACCHETTA POSIZIONI	PLATE, CUTTING POSITIONS	PLAQUETTE REGLAGE	PLATTE, HÖHEVERSTELLUNG	
14	12728520/0	1	VITE	SCREW	VIS	SCHRAUBE	
15	12155000/0	2	DADO	NUT	ECROU	MUTTER	
16	22517856/1	1	PERNO	PIN	PIVOT	BOLZEN	
17	22778397/1	1	STAFFA SX	BRACKET, L	BRIDE G	PRATZE, LINKE	
18	22600023/2	1	PARASASSI	STONE-GUARD	PARE-PIERRES	PRALLBLECH	
19	22450270/0	1	MOLLA	SPRING	RESSORT	FEDER	
20	22778396/1	1	STAFFA DX	BRACKET, R	BRIDE D	PRATZE, RECHTE	
21	22601001/0	1	PROTEZIONE	PROTECTION	PROTECTION	SCHUTZ	
22	12155000/0	2	DADO	NUT	ECROU	MUTTER	
23	12793301/0	2	VITE	SCREW	VIS	SCHRAUBE	
24	22595352/0	1	PORTINA CHIUSURA	INSPECTION DOOR	VOYANT DE VISITE	ABDECKPLATTE	
25	12729600/0	1	VITE	SCREW	VIS	SCHRAUBE	
26	22108205/0	1	CONVOGLIATORE	CONVEYOR	CONVOYEUR	KONVEYOR	
27	12789000/0	1	VITE	SCREW	VIS	SCHRAUBE	
28	12523020/0	1	ROSETTA	WASHER	RONDELLE	SCHEIBE	
29	12154330/0	1	DADO	NUT	ECROU	MUTTER	
30	12731350/0	4	VITE	SCREW	VIS	SCHRAUBE	
31	22545147/0	2	PIASTRINA	PLATE	PLAQUETTE	PLÄTTCHEN	
33	22038407/0	2	BRONZINA	BRASS	DOUILLE	BUCHSE	
34	12731350/0	4	VITE	SCREW	VIS	SCHRAUBE	
35	22545156/0	2	PIASTRINA	PLATE	PLAQUETTE	PLÄTTCHEN	
36	22038400/1	2	BRONZINA	BRASS	DOUILLE	BUCHSE	
51	81002801/1	1	ASSE RUOTE ANTERIORI	AXLE, FRONT WHEELS	AXE ROUES AVANT	ACHSE, VORDERRAD	
52	12530150/0	2	ROSETTA ELASTICA	SPRING WASHER	RONDELLE ELASTIQUE	ELASTISCHE SCHEIBE	
53	22122200/0	4	CUSCINETTO	BEARING	COUSSINET	LAGER	
54	81007317/0	2	RUOTA Ø 170	WHEEL Ø 170	ROUE Ø 170	RAD. Ø 170	
55	12369500/0	2	DISCO ELASTICO	ELASTIC WASHER	DISQUE ELASTIQUE	FEDERSCHEIBE	
56	12155000/0	2	DADO	NUT	ECROU	MUTTER	
57	---	2	COPRIMOZZO	HUB CAP	COUVRE-MOYEU	RADKAPPE	(SEE ENCLOSURE 1)
58	81001134/0	1	ASTA COMANDO REGOL. ALTEZZA	ROD, HEIGHT ADJUSTMENT CONTROL	TIGE COMMANDE REGLAGE HAUTEUR	STANGE, HÖHEVERSTELLUNG	(B&S - GGP ENGINE)
-	81001136/0	1	ASTA COMANDO REGOL. ALTEZZA	ROD, HEIGHT ADJUSTMENT CONTROL	TIGE COMMANDE REGLAGE HAUTEUR	STANGE, HÖHEVERSTELLUNG	(HONDA)
59	12000930/0	2	ANELLO ELASTICO	SNAP RING	ANNEAU RESSORT	SPRENGRING	
61	22446180/0	1	MOLLA	SPRING	RESSORT	FEDER	
62	12604899/0	2	FISSATORE A CORONA	CROWN FASTENER	FIXATEUR A COURONNE	KRONESCHEIBE	
63	22529662/0	1	PERNO FULCRO	FULCRUM PIN	PIVOT	GELENKPUNKT	
64	22672151/0	1	ROSETTA	WASHER	RONDELLE	SCHEIBE	
65	81001269/0	1	ASTA ASSE POSTERIORE	ROD, REAR WHEELS AXLE	TIGE, AXE ROUE ARRIERES	STANGE, HINTERRADACHSE	
66	81000479/0	1	SETTORE REGOLAZIONE ALTEZZA	SECTOR, HEIGHT ADJUSTMENT	SECTEUR REGLAGE HAUTEUR	SEKTOR, HÖHEVERSTELLUNG	
67	22672152/0	1	ROSETTA	WASHER	RONDELLE	SCHEIBE	
68	22785109/0	1	SUPPORTO REGOLAZIONE ALTEZZA	SUPPORT, HEIGHT ADJUSTMENT	SUPPORT REGLAGE	HALTER, HÖHEVERSTELLUNG	
69	12293201/0	1	DADO	NUT	ECROU	MUTTER	
70	12793301/0	2	VITE	SCREW	VIS	SCHRAUBE	

POS.	CODE	Q.TY	DESCRIZIONE	DESCRIPTION	DESCRIPTION	BESCHREIBUNG	REMARKS
71	22785113/0	1	SUPPORTO MANIGLIA	SUPPORT, HANDLE	SUPPORT POIGNÉE	HALTER, GRIFF	
72	12293201/0	2	DADO	NUT	ECROU	MUTTER	
73	12729600/0	1	VITE	SCREW	VIS	SCHRAUBE	
74	12793301/0	1	VITE	SCREW	VIS	SCHRAUBE	
75	25038002/1	2	BUSSOLA	BUSH	DOUILLE	BUCHSE	
76	22393611/1	1	MANIGLIA	HANDLE	POIGNÉE	GRIFF	
78	12293201/0	1	DADO	NUT	ECROU	MUTTER	
79	12622640/0	1	SPINA	PIN	GOUPILLE	STIFT	
80	22446175/0	1	MOLLA	SPRING	RESSORT	FEDER	
81	12530150/0	2	ROSETTA ELASTICA	SPRING WASHER	RONDELLE ELASTIQUE	ELASTISCHE SCHEIBE	
82	22122200/0	4	CUSCINETTO	BEARING	COUSSINET	LAGER	
83	81007318/1	2	RUOTA Ø 210	WHEEL Ø 210	ROUE Ø 210	RAD. Ø 210	
84	12521350/0	2	ROSETTA	WASHER	RONDELLE	SCHEIBE	
85	12155000/0	2	DADO	NUT	ECROU	MUTTER	
86	--	2	COPRIMOZZO	HUB CAP	COUVRE-MOYEU	RADKAPPE	(SEE ENCLOSURE 2)
91	22600144/0	2	PROTEZIONE	PROTECTION	PROTECTION	SCHUTZ	
92	81007376/0	2	RUOTA Ø 170	WHEEL Ø 170	ROUE Ø 170	RAD. Ø 170	
93	22110418/0	2	COPRIMOZZO	HUB CAP	COUVRE-MOYEU	RADKAPPE	
94	81007382/0	2	RUOTA Ø 210	WHEEL Ø 210	ROUE Ø 210	RAD. Ø 210	
95	22110419/0	2	COPRIMOZZO	HUB CAP	COUVRE-MOYEU	RADKAPPE	
96	22675100/0	2	ROSETTA	WASHER	RONDELLE	SCHEIBE	
97	22675100/0	2	ROSETTA	WASHER	RONDELLE	SCHEIBE	
171	22140224/0	1	TAPPO	CAP	BOUCHON	GUMMISTOPFEN	

NP 534

2007

841a.0

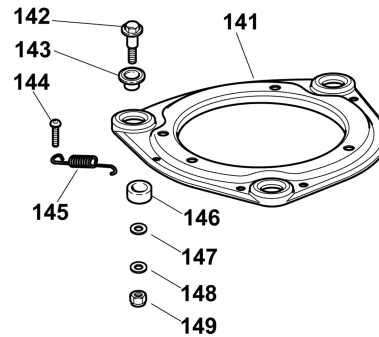
1 / 1

TR

TR/E

TR 3S

TR/E 3S



POS.	CODE	Q.TY	DESCRIZIONE	DESCRIPTION	DESCRIPTION	BESCHREIBUNG	REMARKS
141	22207223/0	1	FLANGIA	FLANGE	BRIDE	FLANSCH	
142	22524329/0	3	PERNO	PIN	PIVOT	BOLZEN	
143	22672201/0	3	ROSETTA	WASHER	RONDELLE	SCHEIBE	
144	12729601/1	1	VITE	SCREW	VIS	SCHRAUBE	
145	22450445/0	1	MOLLA	SPRING	RESSORT	FEDER	
146	22250012/0	3	GOMMINO	GROMMET	PROCTECION	SCHUTZ	
147	22671651/0	3	ROSETTA	WASHER	RONDELLE	SCHEIBE	
148	12521350/0	3	ROSETTA	WASHER	RONDELLE	SCHEIBE	
149	12155000/0	3	DADO	NUT	ECROU	MUTTER	

NP 534

2007

841b.0

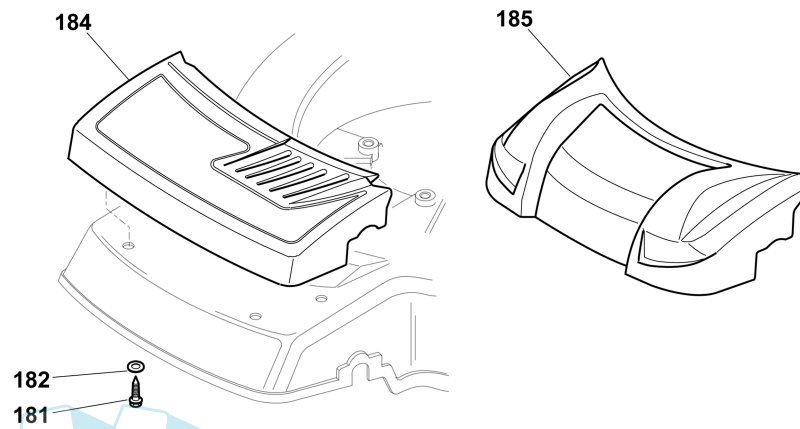
1 / 1

TR

TR/E

TR 3S

TR/E 3S



POS.	CODE	Q.TY	DESCRIZIONE	DESCRIPTION	DESCRIPTION	BESCHREIBUNG	REMARKS
181	12735402/0	4	VITE	SCREW	VIS	SCHRAUBE	
182	12523040/0	4	ROSETTA	WASHER	RONDELLE	SCHEIBE	
184	22226050/0	1	MASCHERINA, NERO	MASK, BLACK	MESQUE, NOIR	MASKE, SCHWARZ	
185	22226112/0	1	MASCHERINA, GRIGIO	MASK, GREY	MESQUE, GRIS	MASKE, GRAU	